

Single-phase chassis-mounting filter FN 2320



- Current ratings from 3 to 20A
- Broadband attenuation characteristics
- UL-rated materials
- Nennströme von 3 bis 20A
- Breitbandige Dämpfungseigenschaften
- UL konformes Material
- Courants de service de 3 à 20A
- Atténuation large bande
- Matériaux UL

Filter selection table

Approvals



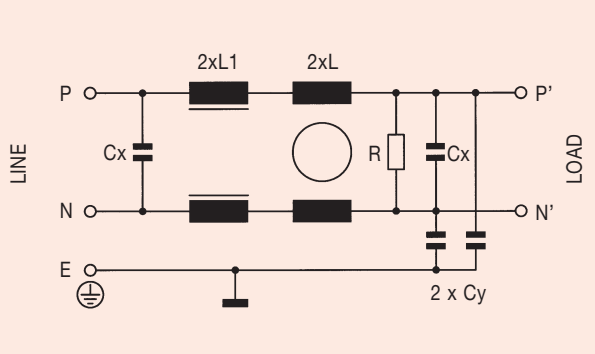
Filter	Conn. / Housing		Current ratings @40°C (25°C) [A]		Inductance		Capacitance		Resistance R [MΩ]	Weight [g]
					L [mH]	L1 [μH]	Cx [μF]	Cy [nF]		
FN2320Y-3-06	Fast-on	H2	3	(3.35)	1.1	30	0.33	5.5	1	125
FN2320Y-6-06	Fast-on	K2	6	(6.7)	1.9	70	0.33	5.5	1	275
FN2320Y-10-06	Fast-on	K2	10	(11.2)	1.3	40	0.33	5.5	1	285
FN2320Y-20-06	Fast-on	L1	20	(22.4)	1.0	30	0.33	5.5	1	600

Additional specifications

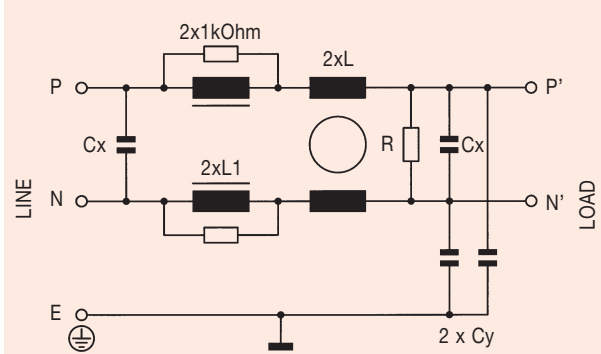
Filter type	Maximum operating voltage		Operating frequency [Hz]	Hipot test voltage		Maximum leakage @ 230VAC/50Hz [mA]	Temperature range
	[VAC]	[Hz]		PN→E [VAC]	P→N [VDC]		
All types	250	50/60	DC to 60	2000	1100	0.94	-25°C - +100°C

Electrical schematics

FN2320Y-3-06 / FN2320Y-6-06 / FN2320Y-10-06



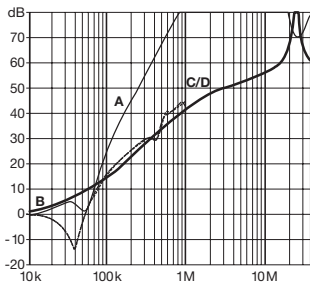
FN2320Y-20-06



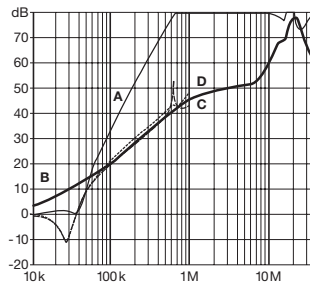
FN 2320 insertion loss

Per CISPR 17; A = 50Ω/50Ω sym, B = 50Ω/50Ω asym, C = 0.1Ω/100Ω sym, D = 100Ω/0.1Ω sym

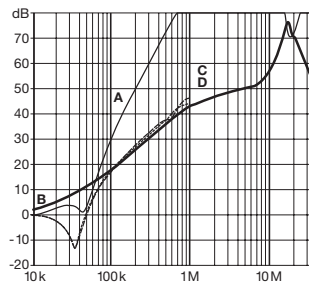
3 amp types



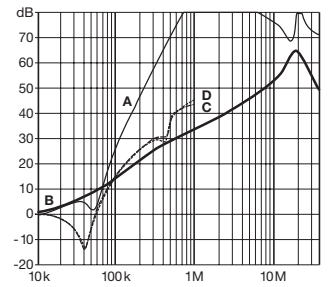
6 amp types



10 amp types

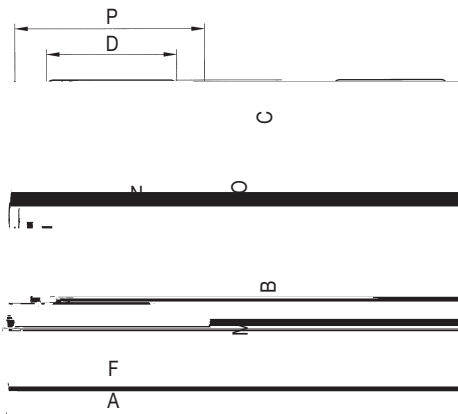


20 amp types



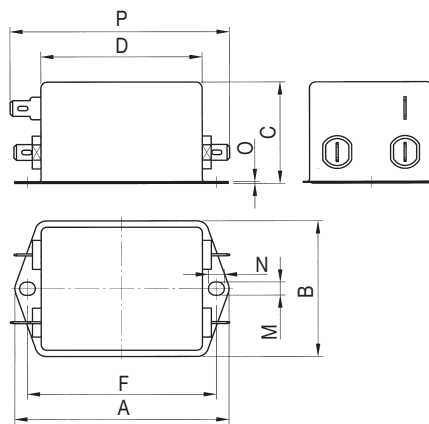
Mechanical data

-3A



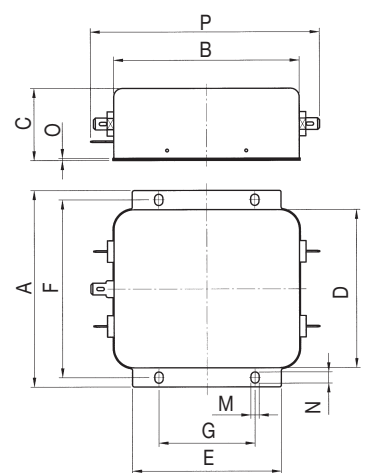
Housing H2

-6A, -10A



Housing K2

-20A



Housing L1

FN2320Y

	3A	6A	10A	20A	Tol.* [mm]
A	71	85		105	± 0.5
B	46.6	54		98.5 ± 1	± 0.5
C	29.3	40.3		38.6 ± 1	± 0.5
D	50.5	64		84.5 ± 1	± 0.5
E				79	± 0.5
F	61	75		95	± 0.3
G				51	± 0.1
M		5.3		4.4	± 0.1
N		6.3		6	± 0.1
O		0.7		1.2	± 0.1
P	74	87		121.6	± 1

* Measurements share this common tolerance unless otherwise stated.

All dimensions in mm; 1 inch = 25.4mm.